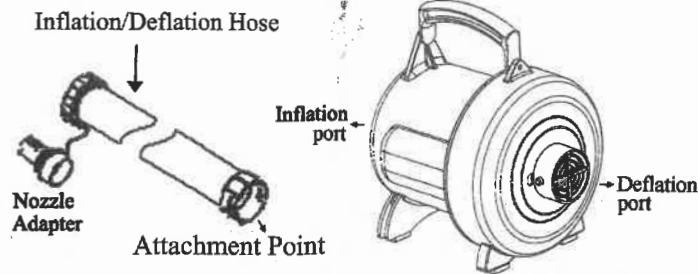


High Pressure Electric Air Pump

READ AND SAVE THESE INSTRUCTIONS



- Hi-Volume air flow for speeding **Inflation** and **Deflation**.
- Handheld and Portable design for convenience.
- New locking system to avoid unfastening while inflation.

IMPORTANT :

1. Power supply must be AC120V, 60Hz.
2. This is a high-pressure pump intends to inflate such as airbed, inflatable boats...etc, not for inflating tires or for continuous use.
3. Do not operate continuously more than 15 minutes, it will make the pump overheating to shut down, and must wait 15 minutes break before using again.
4. Risk of electric shock, do not operate under moist conditions, store indoors.
5. It's necessary to keep the pump away from children.

WARNINGS:

1. Never attempt to disassemble or close to the openings while pump is operating.
2. Never leave pump unattended while in use.
3. Never allow sand, small rocks...etc to be sucked into the inflation or deflation port while operating.
4. Do not use under wet conditions, please keep away from water.
5. Never look into or point the inflate opening toward your eyes while pump is operating.
6. The supply cord cannot be replaced. If the cord is damaged, the appliance should be scrapped.

OPERATION:

To inflate:

1. Fasten hose **Attachment Point** to the **Inflation port** of pump, lift the stopper from your product inflation valve, then insert hose outlet (or attach the nozzle adaptor) into the inflation valve.
2. Connect power supply cord to 120V AC power source, and turn on the switch to begin inflating.
3. When fully inflated, turn off the switch and disconnect the power supply cord plug.

To deflate:

1. Fasten hose **Attachment Point** to the **Deflation port** of pump, lift the stopper from your product inflation valve, then insert hose outlet (or attach the nozzle adaptor) into the inflation valve.
2. Connect power supply cord to 120V AC power source, and turn on the switch to begin deflating.
3. When deflating is complete, turn off the switch and disconnect the power supply cord plug.

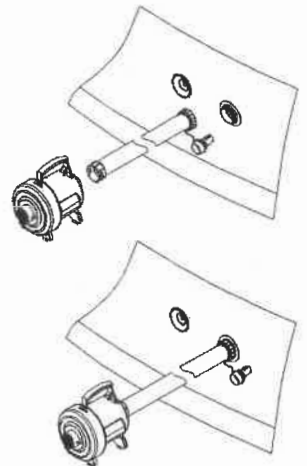


Fig.1) Inflate

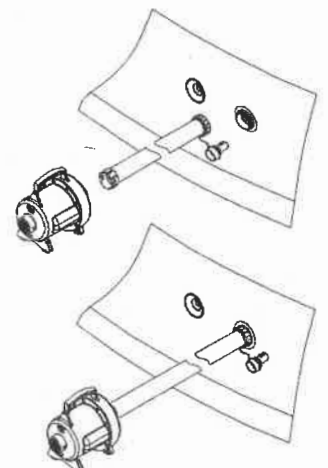


Fig.2) Deflate